

The report will list all individual recipients and/or TC Block recipient and/or remaining organs that did not get distributed



Attribution Report

Can be a list of any number of Organs



List of Organs

Could be empty if all organs were provided to individuals



List of Organs [Remaining]

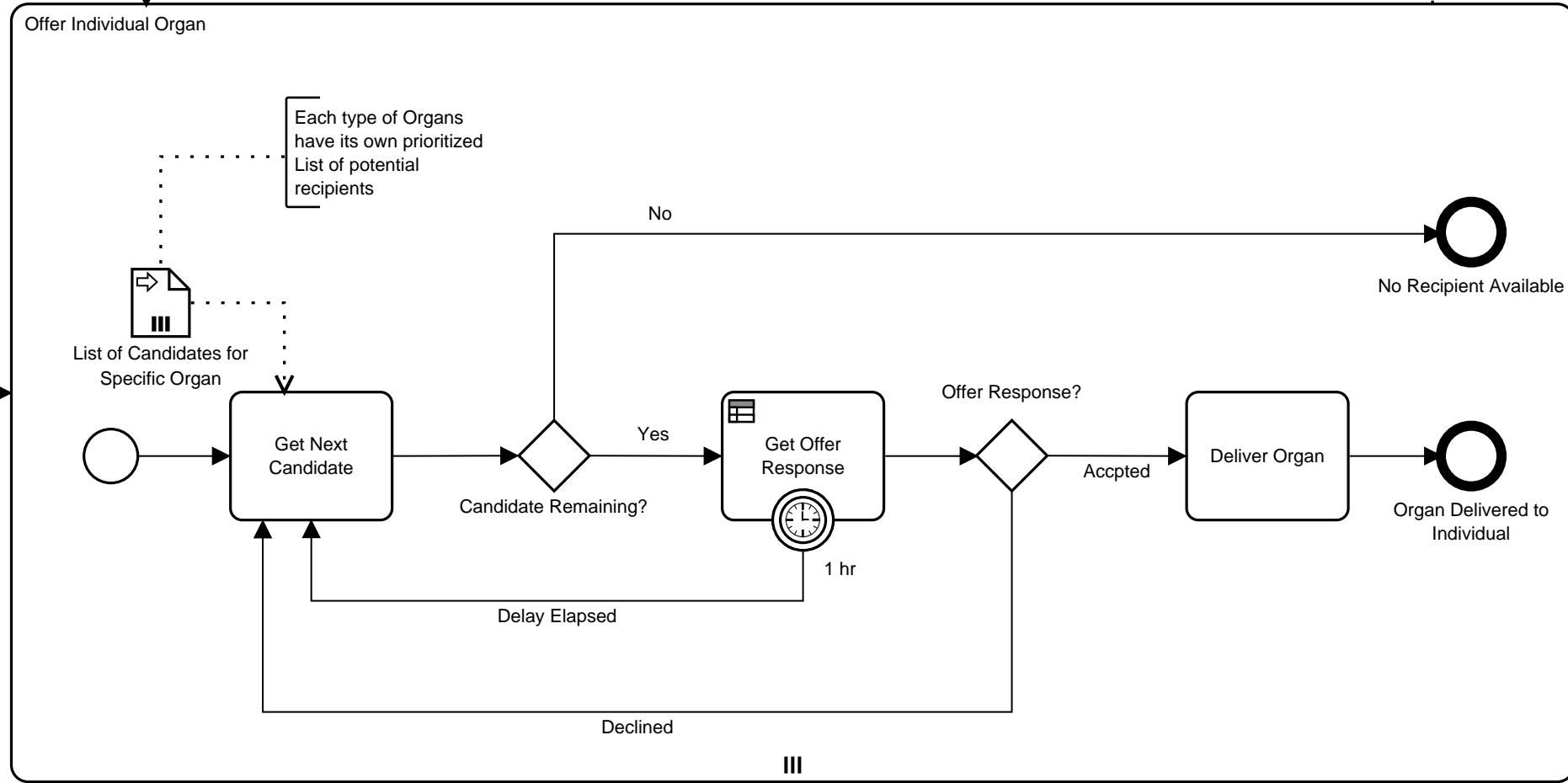


List of Transplant Centers

Each type of Organs have its own prioritized List of potential recipients

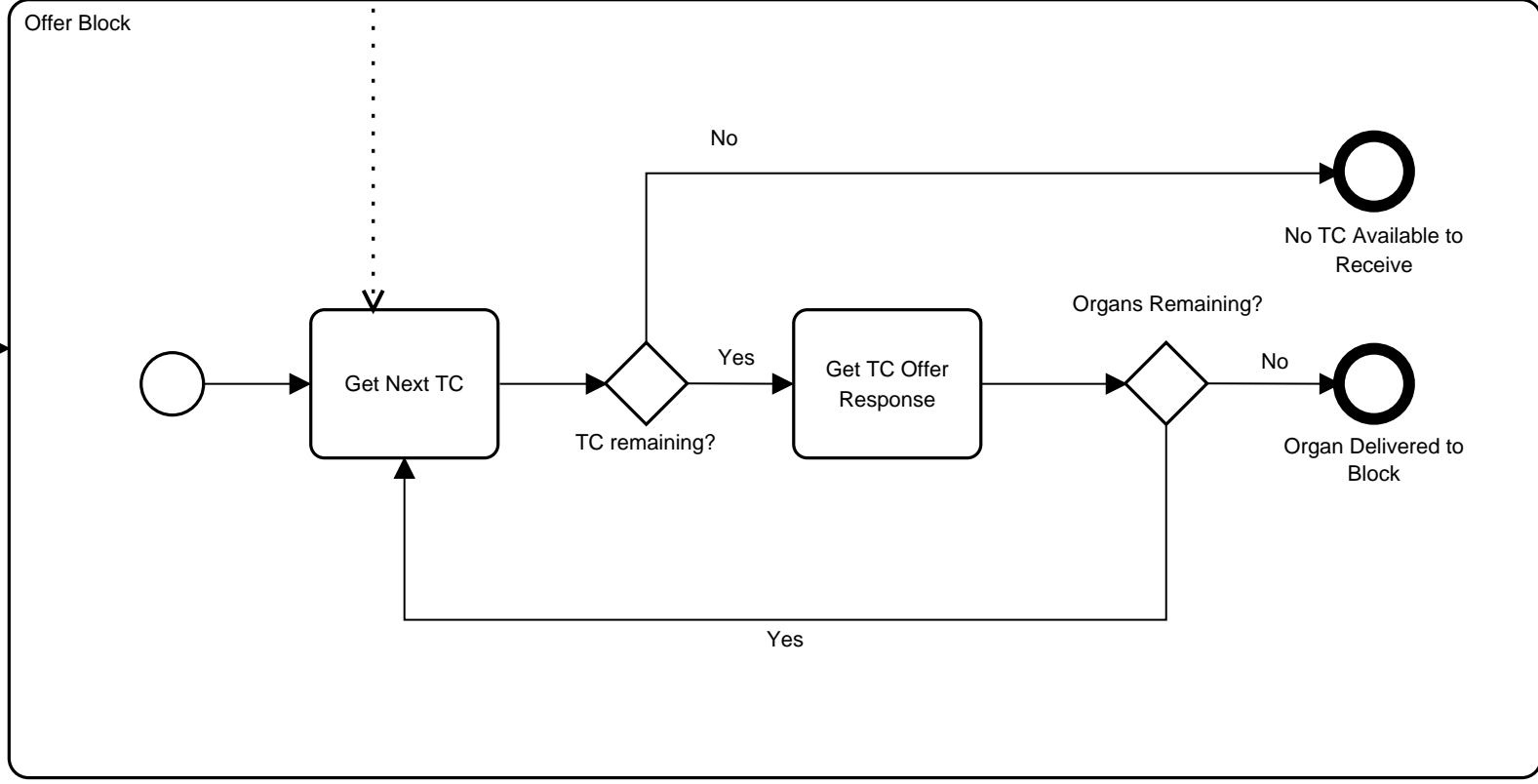


List of Candidates for Specific Organ



Done in parallel for each available organs

Organs Remaining?



Organs Remaining?

No TC Available to Receive

Organ Delivered to Block

Failure to Distribute All Organs

No

Organs Remaining?

Organ Delivered to Block

Failure to Distribute All Organs

No

Organs Remaining?

Organ Delivered to Block

Failure to Distribute All Organs

No

Organs Remaining?

Organ Delivered to Block

Failure to Distribute All Organs

No

Organs Remaining?

Organ Delivered to Block

Failure to Distribute All Organs

No

Organs Remaining?

Organ Delivered to Block

Failure to Distribute All Organs

No

Organs Remaining?

Organ Delivered to Block

Failure to Distribute All Organs

No

Organs Remaining?

Organ Delivered to Block

Failure to Distribute All Organs

No

Organs Remaining?

Organ Delivered to Block

Failure to Distribute All Organs

No

Organs Remaining?

Organ Delivered to Block

Failure to Distribute All Organs

No

Organs Remaining?

Organ Delivered to Block

Failure to Distribute All Organs

No

Organs Remaining?

Organ Delivered to Block

Failure to Distribute All Organs

No

Organs Remaining?

Organ Delivered to Block

Failure to Distribute All Organs

No

Organs Remaining?

Organ Delivered to Block

Failure to Distribute All Organs

No

Organs Remaining?

Organ Delivered to Block

Failure to Distribute All Organs

No

Organs Remaining?

Organ Delivered to Block

Failure to Distribute All Organs

No

Organs Remaining?

Organ Delivered to Block

Failure to Distribute All Organs

No

Organs Remaining?

Organ Delivered to Block

Failure to Distribute All Organs

No

Organs Remaining?

Organ Delivered to Block

Failure to Distribute All Organs

No

Organs Remaining?

Organ Delivered to Block

Failure to Distribute All Organs

No

Organs Remaining?

Organ Delivered to Block

Failure to Distribute All Organs

No

Organs Remaining?

Organ Delivered to Block

Failure to Distribute All Organs

No

Organs Remaining?

Organ Delivered to Block

Failure to Distribute All Organs

No

Organs Remaining?

Organ Delivered to Block

Failure to Distribute All Organs

No

Organs Remaining?

Organ Delivered to Block

Failure to Distribute All Organs

No

Organs Remaining?

Organ Delivered to Block

Failure to Distribute All Organs

No

Organs Remaining?

Organ Delivered to Block

Failure to Distribute All Organs

No

Organs Remaining?

Organ Delivered to Block

Failure to Distribute All Organs

No

Organs Remaining?

Organ Delivered to Block

Failure to Distribute All Organs

No

Organs Remaining?

Organ Delivered to Block

Failure to Distribute All Organs

No

Organs Remaining?

Organ Delivered to Block

Failure to Distribute All Organs

No

Organs Remaining?

Organ Delivered to Block

Failure to Distribute All Organs

No

Organs Remaining?

Organ Delivered to Block

Failure to Distribute All Organs

No

Organs Remaining?

Organ Delivered to Block

Failure to Distribute All Organs

No

Organs Remaining?

Organ Delivered to Block

Failure to Distribute All Organs

No

Organs Remaining?

Organ Delivered to Block

Failure to Distribute All Organs

No

Organs Remaining?

Organ Delivered to Block

Failure to Distribute All Organs

No

Organs Remaining?

Organ Delivered to Block

Failure to Distribute All Organs

No

Organs Remaining?

Organ Delivered to Block

Failure to Distribute All Organs

No

Organs Remaining?

Organ Delivered to Block

Failure to Distribute All Organs

No

Organs Remaining?

Organ Delivered to Block

Failure to Distribute All Organs

No

Organs Remaining?

Organ Delivered to Block

Failure to Distribute All Organs

No

Organs Remaining?

Organ Delivered to Block

Failure to Distribute All Organs

No

Organs Remaining?

Organ Delivered to Block

Failure to Distribute All Organs

No

Organs Remaining?

Organ Delivered to Block

Failure to Distribute All Organs

No

Organs Remaining?

Organ Delivered to Block

Failure to Distribute All Organs

No

Organs Remaining?

Organ Delivered to Block

Failure to Distribute All Organs

No

Organs Remaining?

Organ Delivered to Block

Failure to Distribute All Organs

No

Organs Remaining?

Organ Delivered to Block

Failure to Distribute All Organs

No

Organs Remaining?

Organ Delivered to Block

Failure to Distribute All Organs

No

Organs Remaining?

Organ Delivered to Block

Failure to Distribute All Organs

No

Organs Remaining?

Organ Delivered to Block

Failure to Distribute All Organs

No

Organs Remaining?

Organ Delivered to Block

Failure to Distribute All Organs

No

Organs Remaining?

Organ Delivered to Block

Failure to Distribute All Organs

No

Organs Remaining?

Organ Delivered to Block

Failure to Distribute All Organs

No

Organs Remaining?

Organ Delivered to Block

Failure to Distribute All Organs

No

Organs Remaining?

Organ Delivered to Block

Failure to Distribute All Organs

No

Organs Remaining?

Organ Delivered to Block

Failure to Distribute All Organs

No

Organs Remaining?

Organ Delivered to Block

Failure to Distribute All Organs

No

Organs Remaining?

Organ Delivered to Block

Failure to Distribute All Organs

No

Organs Remaining?

Organ Delivered to Block

Failure to Distribute All Organs

No

Organs Remaining?

Organ Delivered to Block

Failure to Distribute All Organs

No

Organs Remaining?

Organ Delivered to Block

Failure to Distribute All Organs

No

Organs Remaining?

Organ Delivered to Block

Failure to Distribute All Organs

No

Organs Remaining?

Organ Delivered to Block

Failure to Distribute All Organs

No

Organs Remaining?

Organ Delivered to Block

Failure to Distribute All Organs

No

Organs Remaining?

Organ Delivered to Block

Failure to Distribute All Organs

No

Organs Remaining?

Organ Delivered to Block

Failure to Distribute All Organs

No

Organs Remaining?

Organ Delivered to Block